



ASSEMBLED SOCKET-COMBINATION

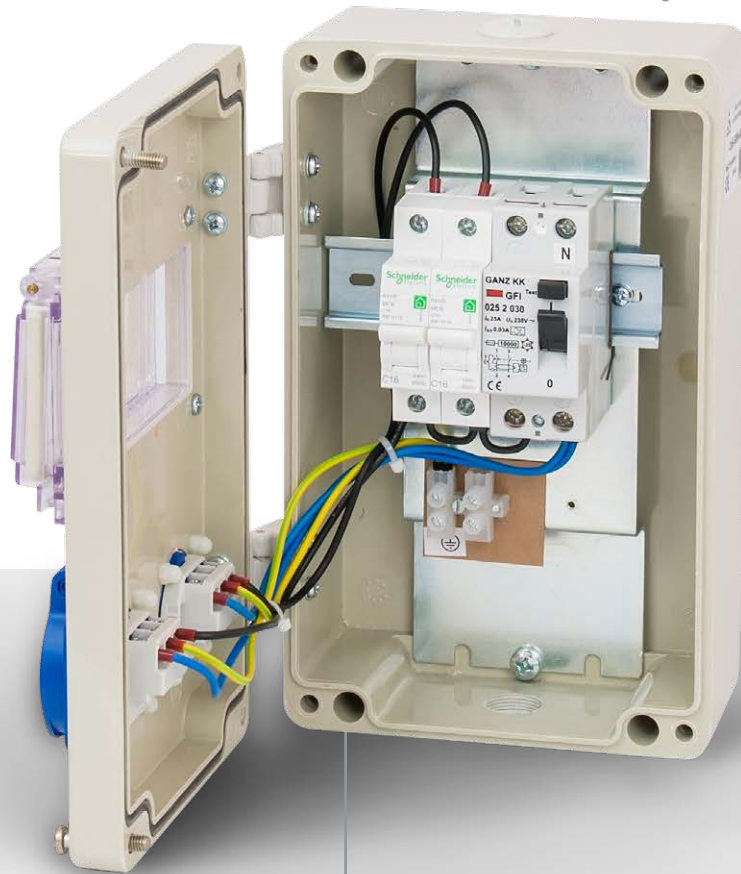


Window

- ▶ 6 modules width (12 pcs breakable lamellas)
- ▶ transparent
- ▶ flap-covered
- ▶ padlockable

Enclosure

- ▶ extra strong, schock-resistant
- ▶ easily open, it provides a comfortable mount
- ▶ it can be connected across a cable gland
- ▶ it consists of a 35 mm mounting rail



Versions of sockets

- ▶ single-phase 3p, 16 A with earthed contact
- ▶ CEE 4p 16 A or 32 A
- ▶ CEE 5p 16 A or 32 A

Protecting devices

- ▶ miniature circuit breakers with optional rated current
- ▶ residual current circuit breakers

Wires of enclosure (inside) are

- ▶ flexible
- ▶ correct by colour
- ▶ finish in ferrule
- ▶ connect to terminals (neutral and protecting wires)

Applicable

- ▶ rotary switches
- ▶ signalling lamps

Degree of protection of socket-combinations: IP 44

ASSEMBLED SOCKET-COMBINATIONS TYPE CsK

Typical application

CsK... equipment-combinations are suitable for plugging connection, for protection against overcurrents and short circuit currents and for switching ON – OFF of electrical loading equipment. Its application is

recommended in the following places: industrial and agricultural establishments, building machines, temporary construction site, workshops, containers, family-houses, hobby rooms, country-cottages, camps, etc.






Structure

The base of the combination-family is an enclosure from material polyester strengthening with fibreglass. Dimensions: 160x260x90 mm 255x250x120 mm and 400x250x120 mm. The cover of enclosure consists a flap-covered transparent, by request padlockable window with 6 module width (12 breakable lamellas), in addition sockets, rotary switches and signalling lamps.

Behind the window is a 35 mm rail by EN 60715 standard for snap of clamps and protecting devices. The cover joins to the vessel with 2 pcs hinges on the left side and

by unscrew of 2 pcs screws the enclosure can be opened. The internal wiring is well dimensioned, well arranged.

Assortment of the flap-covered sockets:

single phase 16 A	phase, N,		16 A, 230 V	blue
CEE 4p 16 A	3 phase		16 A, 400 V	red
CEE 4p 32 A	3 phase		32 A, 400 V	red
CEE 5p 16 A	3 phase, N		16 A, 400 V	red
CEE 5p 32 A	3 phase, N		32 A, 400 V	red

Mounting, connection

The apparatus should be fastened on vertical plate according to the legible position of the inscription with 4 pcs M5x30 screws. The fixing dimensions can be found in the purchasing information enclosed to combination and on the back side of enclosure.

It can be connected -from below or above-across Pm16 or Pm21 cable glands or by iron conduit pipe. The not used connecting hole can be closed with a screw plug.

Cross-section of connectable wires:

Rated current for the socket [A]	Cross-section of connecting wires [mm ²]	
	min.	max.
16	1,5	4
32	4	10

Without connection of earth terminal do not energize the socket-combination!

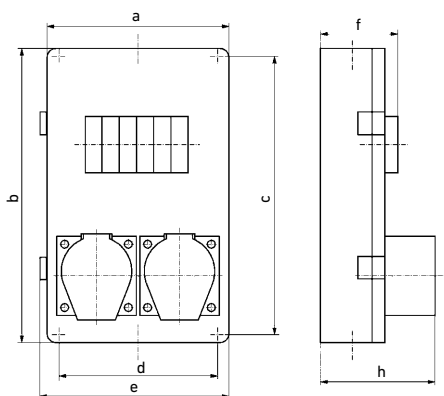
Technical data

Built-in rotary switch(es) type	KK0-20, KK1-32, KK2-40, KK2-63	
Rated insulation voltage	- with 1-phase socket	250 V 50 Hz
	- with 3-phase socket	400 V 50 Hz
Rated operational voltage	230/400 V 50 HZ	

Class of shock-protection	I.
Degree of protection	IP 44
Ambient temperature	-20... +40°
Pollution degree	3 (normal industrial environment)
Relevant standard	EN 61439

The devices need no maintenance, they are available in substance-protecting boxes.

Dimensions



CsK Type/ Dimensions [mm]	a	b	c	d	e	f
CsK-5...	160	260	240	110	175	115
CsK-6...	250	255	235	200	265	145
CsK-7...	400	265	200	380	417	150

Sockets type/ Dimensions [mm]	h CsK-5...	h CsK-6...	h CsK-7...
1-phase, 16 A	107	137	-
3-phase, 16 A	141	171	170
3-phase, 32 A	154	184	180

Type versions

From following tables you can choose the requested socket-combinations and you can order them by putting the type sign.

The last three number of type-sign (code) – going from left to right- codes the rated current of the built-in miniature circuit breaker (MCB) with characteristic „C” as follows:

0	1	2	3	4	5	6	7	8	9
there is not	2 A	4 A	6 A	10 A	13 A	16 A	20 A	20 A	32 A

The manufacturer assembles RCCB $I_e = 25$ A to sockets 16 A and it assembles RCCB $I_e = 40$ A to sockets 32 A.

If the combination do not consist of any protecting devices, the customer can mount other electric element too.

Several versions are available but for the consumers request specific socket-combinations are also workable by manufacturer.

Assembled socket-combinations type CsK-5...

Type	Socket	MCB*	RCCB*	Rotary switch	Flap-covered window/signalling unit
CsK 5002-660	2 pcs single phase 16 A	2 pcs 1p 16 A	-	-	Flap-covered window
CsK 5003-000	2 pcs single phase 16 A	-	25 A / 30 mA, 2p	-	Flap-covered window
CsK 5004-660	2 pcs single phase 16 A	2 pcs 1p 16 A	25 A / 30 mA, 2p	-	Flap-covered window
CsK 5006-660	2 pcs single phase 16 A	2 pcs 2p 16 A	-	-	Flap-covered window
CsK-5021-660	1 pc single phase 16 A 1 pc CEE 4p 16 A	1 pc 1p 16 A 1 pc 3p 16 A	-	-	Flap-covered window
CsK-5041-660	1 pc single phase 16 A 1 pc CEE 5p 16 A	1 pc 1p 16 A 1 pc 3p 16 A	-	-	Flap-covered window
CsK-5042-000	1 pc single phase 16 A 1 pc CEE 5p 16 A	-	25 A / 30 mA, 4p	-	Flap-covered window
CsK-5043-660	1 pc single phase 16 A 1 pc CEE 5p 16 A	1 pc 1p 16 A 1 pc 3p 16 A	-	-	Flap-covered window
CsK-5081-690	1 pc single phase 16 A 1 pc CEE 5p 32 A	1 pc 1p 16 A 1 pc 3p 32 A	-	-	Flap-covered window
CsK-5082-000	1 pc single phase 16 A 1 pc CEE 5p 16 A	-	40 A / 30 mA, 4p	-	Flap-covered window
CsK-5102-000	2 pcs CEE 4p 16 A	-	25 A / 30 mA, 4p	-	Flap-covered window
CsK-5123-690	1 pc CEE 4p 16 A 1 pc CEE 4p 32 A	1 pc 3p 16 A 1 pc 3p 32 A	-	-	Flap-covered window
CsK-5143-660	2 pcs CEE 5p 16 A	2 pcs 3p 16 A	-	-	Flap-covered window
CsK-5163-690	1 pc CEE 5p 16 A 1 pc CEE 5p 32 A	1 pc 3p 16 A 1 pc 3p 32 A	-	-	Flap-covered window
CsK-5183-990	2 pcs CEE 4p 32 A	2 pcs 3p 32 A	-	-	Flap-covered window
CsK-5302-600	1 pc CEE 4p 16 A	1 pc 3p 16 A	-	KK1-32 ON-OFF	Flap-covered window
CsK-5312-000	1 pc CEE 5p 32 A	-	40 A / 30 mA, 4p	KK1-32 ON-OFF	Flap-covered window
CsK-5803-000	1 pc single phase 16 A 1 pc CEE 5p 16 A	-	-	KK0-20 ON-OFF KK1-32 ON-OFF	-
CsK-5804-000	1 pc single phase 16 A 1 pc CEE 5p 32 A	-	-	KK0-20 ON-OFF KK1-32 ON-OFF	-
CsK-5820-000	4 pcs single phase 16 A	-	-	2 pcs KK1-32 ON-OFF	2 pcs signalling unit

* 1p= single-pole MCB (Miniature circuit breaker), 2p= two-pole MCB or RCCB (Residual current circuit breaker), 3p= three-pole MCB, 4p= four-pole RCCB

Assembled socket-combinations type CsK-6...

Type	Socket	MCB	RCCB	Rotary switch	Flap-covered window/ signalling unit
CsK-6032-000	3 pcs single phase 16 A 3 pcs CEE 5p 16 A	-	-	3 pcs KK1-32 ON-OFF	-
CsK-6035-000	3 pcs single phase 16 A 1 pc CEE 4p 32 A 2 pcs CEE 4p 16 A	-	-	3 pcs KK1-32 ON-OFF	-
CsK-6122-000	4 pcs single phase 16 A 1 pc CEE 5p 16 A	-	40 A / 30 mA, 4p	-	Flap-covered window 3 pcs signalling unit
CsK-6124-000	4 pcs single phase 16 A 1 pc CEE 5p 32 A	-	40 A / 30 mA, 4p	-	Flap-covered window 3 pcs signalling unit
CsK-6131-666	4 pcs single phase 16 A 1 pc CEE 4p 16 A	2 pcs 1p 16 A 1 pc 3p 16 A	-	-	Flap-covered window 3 pcs signalling unit
CsK-6132-666	4 pcs single phase 16 A 1 pc CEE 5p 16 A	2 pcs 1p 16 A 1 pc 3p 16 A	-	-	Flap-covered window 3 pcs signalling unit
CsK-6133-669	4 pcs single phase 16 A 1 pc CEE 4p 32 A	2 pcs 1p 16 A 1 pc 3p 16 A	-	-	Flap-covered window 3 pcs signalling unit
CsK-6134-669	4 pcs single phase 16 A 1 pc CEE 5p 32 A	2 pcs 1p 16 A 1 pc 3p 16 A	-	-	Flap-covered window 3 pcs signalling unit
CsK-6221-000	1 pc single phase 16 A 2 pcs CEE 4p 16 A	-	40 A / 30 mA, 4p	1 pc KK1-32 ON-OFF 1 pc KK2-63 ON-OFF	Flap-covered window 1 pc signalling unit
CsK-6226-000	1 pc single phase 16 A 1 pc CEE 5p 32 A 1 pc CEE 5p 16 A	-	40 A / 30 mA, 4p	1 pc KK1-32 ON-OFF 1 pc KK2-63 ON-OFF	Flap-covered window 1 pc signalling unit
CsK-6234-960	1 pc single phase 16 A 1 pc CEE 5p 32 A 1 pc CEE 5p 16 A	1 pc 3p 32 A 1 pc 3p 16 A	-	1 pc KK1-32 ON-OFF 1 pc KK2-63 ON-OFF	Flap-covered window 2 pcs signalling unit
CsK-6316-000	4 pcs single phase 16 A 1 pc CEE 5p 32 A 1 pc CEE 5p 16 A	-	-	-	Flap-covered window
CsK-6323-000	4 pcs single phase 16 A 3 pcs CEE 4p 32 A	-	40 A / 30 mA, 4p	-	Flap-covered window
CsK-6334-960	4 pcs single phase 16 A 1 pc CEE 5p 32 A 2 pcs CEE 5p 16 A	1 pc 3p 32 A 1 pc 3p 16 A	-	-	Flap-covered window

Assembled socket-combinations type CsK-7...

Type	Socket	MCB	RCCB	Rotary switch	Flap-covered window/ signalling unit
CsK-7051-866	2 pcs single phase 16 A 1 pc CEE 5p 16 A 1 pc CEE 5p 32 A	2 pcs 1p 16 A 1 pc 3p 16 A 1 pc 3p 25 A	-	-	Flap-covered window
CsK-7061-999	2 pcs single phase 16 A 3 pcs CEE 5p 32 A	2 pcs 1p 16 A 3 pcs 3p 32 A	-	-	Flap-covered window
CsK-7126-666	4 pcs single phase 16 A 1 pc CEE 5p 16 A	4 pcs 1p 16 A 1 pc 3p 16 A	25 A / 30 mA, 4p	-	Flap-covered window 3 pcs signalling unit
CsK-7156-660	8 pcs single phase 16 A	8 pcs 1p 16 A	-	1 pc KK1-32 ON-OFF	Flap-covered window 3 pcs signalling unit
CsK-7164-960	2 pcs single phase 16 A 1 pc CEE 4p 32 A 1 pc CEE 5p 16 A 1 pc CEE 5p 32 A	1 pc 1p 16 A 1 pc 3p 16 A 2 pc 3p 32 A	-	1 pc KK2-40 ON-OFF	Flap-covered window

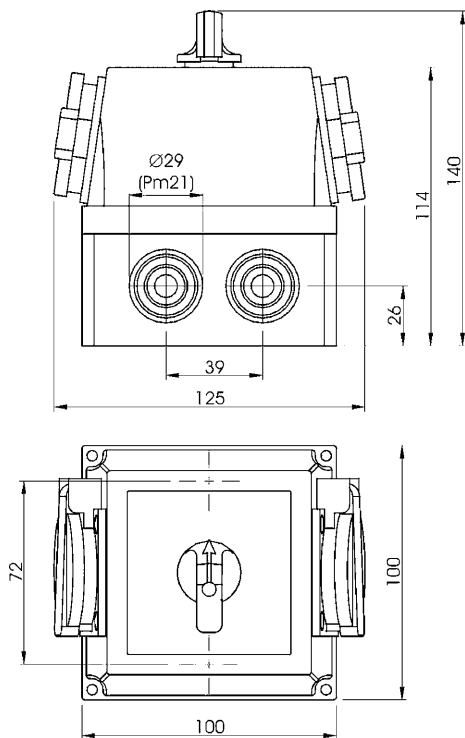
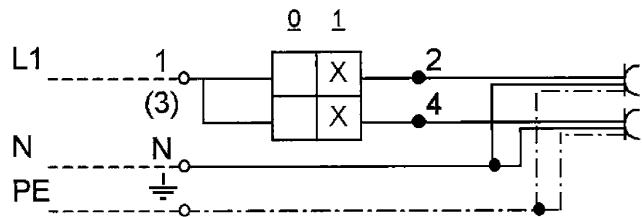
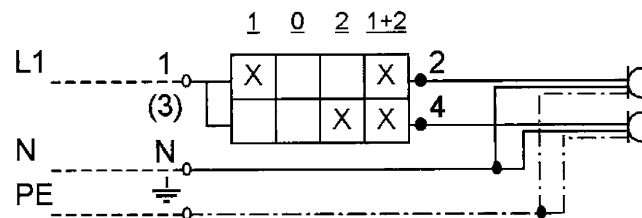
ASSEMBLED SOCKET-COMBINATIONS TYPE CsKK
Structure

The size of the combination-family is 100x100x141 mm, the KKM1 enclosure contains one rotary switch and 2 pcs single phase socket.

The assembly is delivered pre-wired at the factory, only the supply lines must be connected to the suitable terminals. The user must take care of the overcurrent protection of the sockets.

Technical data

Built-in rotary switch(es) type	KK0-20, KKS0-20, KKV0-20	Degree of protection	IP 44
Rated insulation voltage	250 V	Pollution degree	3 (normal industrial environment)
Sockets loads	one by one max. 16 A	Mounting	for flat surface with 2 pcs M4 screw
Ambient temperature	-5...+40 C°	Relevant standard	EN 60947-1, -3

Dimensions

Switching illustration
CsKK0-16-6688, CsKKS0-16-9689, CsKKV0-16-9689

CsKK0-16-4619

Assembled socket-combinations type CsKK

Type	Socket	Rotary switch	Position of rotary switch	Switching programs
CsKK0-16-4619	2 pcs single phase 16 A	KK0-20	1, 0, 2, 1+2	Sockets separately switchable
CsKK0-16-6688	2 pcs single phase 16 A	KK0-20	0, 1	ON-OFF switch, the socket phase wires separately breakable
CsKKS0-16-9689	2 pcs single phase 16 A	KKS0-20	0, 1	Switch-disconnector, padlockable
CsKKV0-16-9689	2 pcs single phase 16 A	KKV0-20	0, 1	Emergency-stop switch, padlockable



CsK-5004-660



CsK-5042-000



CsK-5163-690



CsK-5803-000



CsK-6032-000



CsK-5820-000



CsK-6122-000



CsK-6234-960



CsK-6323-000



CsK-7164



GANZ Switchgear and Appliance Manufacturing Ltd.

Address: H-1101 Budapest, Kőbányai út 41/c
Phone.: +36 (1) 261 1115 · Fax: +36 (1) 261-7670
Web: www.ganzkk.hu
E-mail: ganzkk@ganzkk.hu